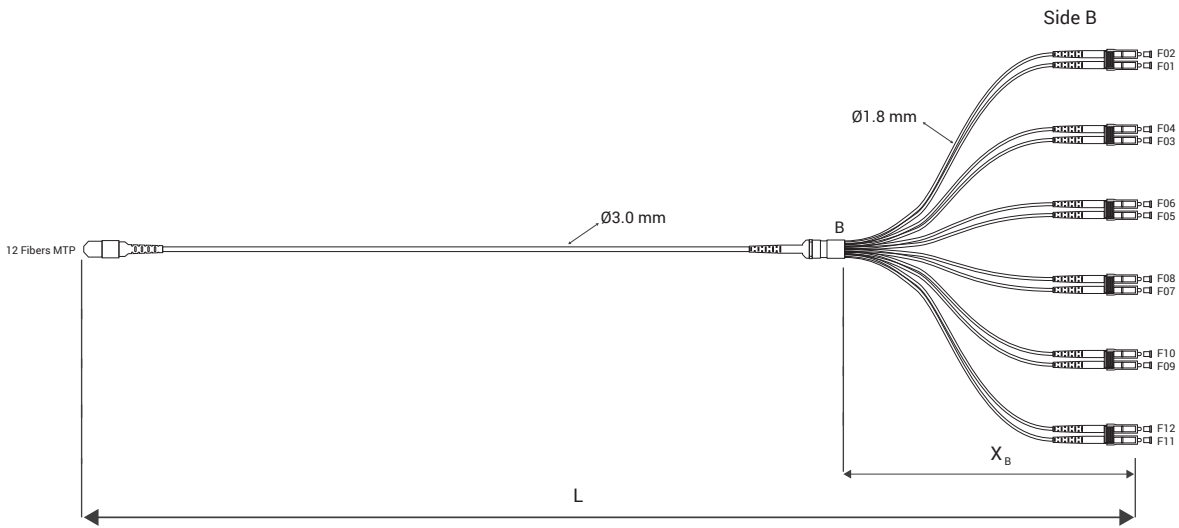
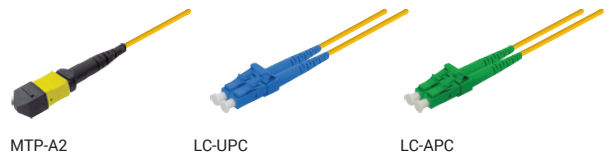
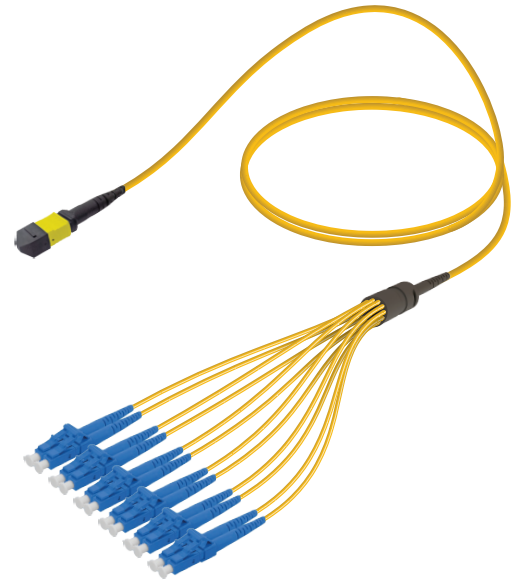


## Fanout Single Mode 12 Fibers 1.8mm

### Properties

MTP Connector Compliance	EC 61754-7, TIA 604-5, RoHS
LC Connector Compliance	IEC 61754-20, TIA 604-10-A, RoHS
Base-12	12 Fibers
Cable Diameter	3.0mm
Subunit Diameter	1.8mm
Alignment Technology LC Side	Full ceramic ferrule (Zirconia ZrO2)
Operating Temperature	-10°C to +70°C
Flammability	UL94 V-0
Durability (MTP/LC)	> 100/1000 mating cycles
Transmission with Applied Tensile Load	50 Newton
Insertion Loss: IEC 61300-3-4-MB	MTP ≤ 0,35dB (avg:0,1 dB); LC ≤ 0.30dB
Return Loss: IEC 61300-3-6-MB	MTP: ≥60dB LC: UPC ≥50dB; APC ≥60dB
Connector End Face Geometry	IEC 61755-3



\* X (Tube Length) is standard 500mm. Please contact us for different tube length.

Sample Coding

**I - PC - 12 - MF - 318 - A2 - B - MTPEf - 06LCD - 005M**

Type	Type	Fiber Count	Cable Type	Diameter	Fiber Type	Polarization	1. Connector	2. Connector	Length
Indoor: I	Patch Cord: PC	12 Fibers: 12	MTP/Fanout: MF	3.0/1.8mm: 318	SM G.657 A2: A2	A Polarization: A B Polarization: B	MTP-Female: MTPEf MTP-Male: MTPem	LC-UPC: 06LCD LC-APC: 06LAD	...M